

NCF3019V

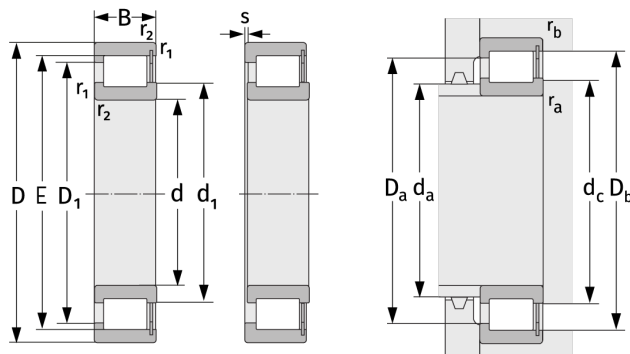
Cylindrical Roller Bearings (full complement, single row)



Details:

Main dimensions

d [mm]	95	d ₁ [mm]	≈ 110.9
D [mm]	145	D ₁ [mm]	≈ 128.9
B [mm]	37	r _{1,2} [mm]	1.5
Weight [kg]	≈ 2.05	r _{3,4} [mm]	1.1
E [mm]	134.9	s [mm]	4



Mating dimensions		Calculation data	
d _{a, min} [mm]	102	C [kN]	208
d _{c, min} [mm]	110	C ₀ [kN]	301
D _{a, max} [mm]	138	C _u [kN]	38.9
D _{b, max} [mm]	138	n _{th} [min ⁻¹]	2099
r _{a, max} [mm]	1.5	n _g [min ⁻¹]	2800
r _{b, max} [mm]	1		