

# NCF3020V

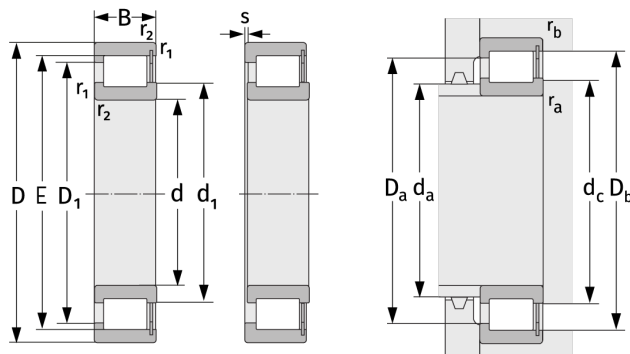
Cylindrical Roller Bearings (full complement, single row)



## Details:

### Main dimensions

d [mm]	100	d <sub>1</sub> [mm]	≈ 115.7
D [mm]	150	D <sub>1</sub> [mm]	≈ 133.65
B [mm]	37	r <sub>1,2</sub> [mm]	1.5
Weight [kg]	≈ 2.14	r <sub>3,4</sub> [mm]	1.1
E [mm]	139.65	s [mm]	4



Mating dimensions		Calculation data	
d <sub>a,min</sub> [mm]	107	C [kN]	213
d <sub>c,min</sub> [mm]	114	C <sub>0</sub> [kN]	314
D <sub>a,max</sub> [mm]	143	C <sub>u</sub> [kN]	40.2
D <sub>b,max</sub> [mm]	143	n <sub>th</sub> [min <sup>-1</sup> ]	2002
r <sub>a,max</sub> [mm]	1.5	n <sub>g</sub> [min <sup>-1</sup> ]	2700
r <sub>b,max</sub> [mm]	1		