

NCF3022V

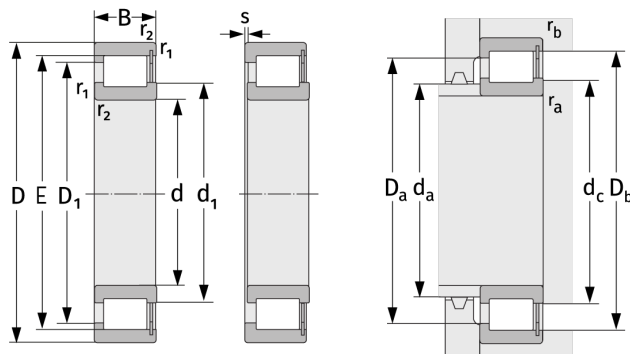
Cylindrical Roller Bearings (full complement, single row)



Details:

Main dimensions

d [mm]	110	d ₁ [mm]	≈ 127.3
D [mm]	170	D ₁ [mm]	≈ 148.93
B [mm]	45	r _{1,2} [mm]	2
Weight [kg]	≈ 3.49	r _{3,4} [mm]	1.1
E [mm]	156.13	s [mm]	5.5



Mating dimensions		Calculation data	
d _{a,min} [mm]	119	C [kN]	281
d _{c,min} [mm]	126	C ₀ [kN]	407
D _{a,max} [mm]	161	C _u [kN]	50.5
D _{b,max} [mm]	161	n _{th} [min ⁻¹]	1933
r _{a,max} [mm]	2	n _g [min ⁻¹]	2400
r _{b,max} [mm]	1		