

NJ10/560M3

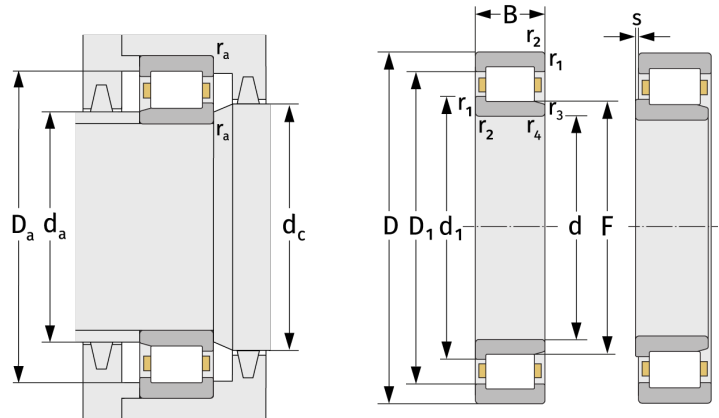
Cylindrical Roller Bearings (single row, with cage)



Details:

Main dimensions

d [mm]	560	d ₁ [mm]	≈ 651.6
D [mm]	820	D ₁ [mm]	≈ 728.4
B [mm]	115	r _{1,2} [mm]	6
Weight [kg]	≈ 214	r _{3,4} [mm]	6
F [mm]	626	s [mm]	13



Mating dimensions		Calculation data	
d _{a, min} [mm]	583	C [kN]	2770
d _{a, max} [mm]	620	C ₀ [kN]	5300
d _{b, min} [mm]	632	C _u [kN]	415
d _{c, min} [mm]	657	n _{th} [min ⁻¹]	577
D _{a, max} [mm]	797	n _g [min ⁻¹]	870
r _{a, max} [mm]	5		