

NJ10/670M3

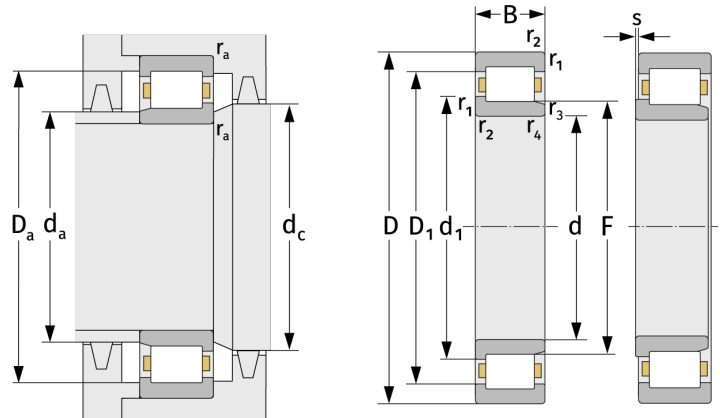
Cylindrical Roller Bearings (single row, with cage)



Details:

Main dimensions

d [mm]	670	d ₁ [mm]	≈ 777
D [mm]	980	D ₁ [mm]	≈ 873
B [mm]	136	r _{1,2} [mm]	7.5
Weight [kg]	≈ 354	r _{3,4} [mm]	7.5
F [mm]	745	s [mm]	15.5



Mating dimensions		Calculation data	
d _{a, min} [mm]	698	C [kN]	3660
d _{a, max} [mm]	739	C ₀ [kN]	6900
d _{b, min} [mm]	751	C _u [kN]	512
d _{c, min} [mm]	782	n _{th} [min ⁻¹]	474
D _{a, max} [mm]	952	n _g [min ⁻¹]	690
r _{a, max} [mm]	6		