

NJ1010M3

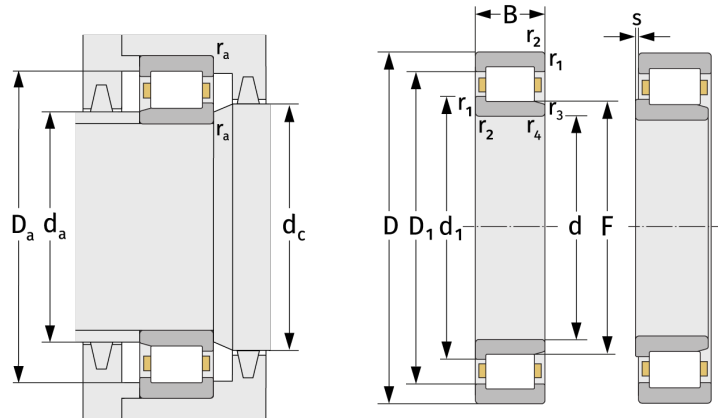
Cylindrical Roller Bearings (single row, with cage)



Details:

Main dimensions

d [mm]	50	d_1 [mm]	≈ 60.5
D [mm]	80	D_1 [mm]	≈ 69.5
B [mm]	16	$r_{1,2}$ [mm]	1
Weight [kg]	≈ 0.301	$r_{3,4}$ [mm]	0.6
F [mm]	57.5	s [mm]	1.5



Mating dimensions		Calculation data	
$d_{a, \min}$ [mm]	54.6	C [kN]	35.6
$d_{a, \max}$ [mm]	57	C_0 [kN]	41.1
$d_{b, \min}$ [mm]	59	C_u [kN]	5.4
$d_{c, \min}$ [mm]	62	n_{th} [min^{-1}]	7361
$D_{a, \max}$ [mm]	75.4	n_g [min^{-1}]	12000
$r_{a, \max}$ [mm]	1		