

NJ1808M3

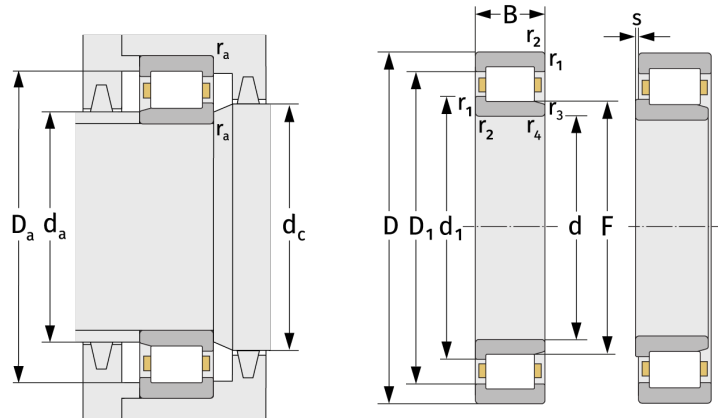
Cylindrical Roller Bearings (single row, with cage)



Details:

Main dimensions

d [mm]	40	d ₁ [mm]	≈ 44.2
D [mm]	52	D ₁ [mm]	≈ 47.8
B [mm]	7	r _{1,2} [mm]	0.3
Weight [kg]	≈ 0.038	r _{3,4} [mm]	0.2
F [mm]	43	s [mm]	1



Mating dimensions		Calculation data	
d _{a, min} [mm]	42	C [kN]	8.84
d _{a, max} [mm]	42	C ₀ [kN]	11.8
d _{b, min} [mm]	45	C _u [kN]	1.54
d _{c, min} [mm]	46	n _{th} [min ⁻¹]	7146
D _{a, max} [mm]	50	n _g [min ⁻¹]	17000
r _{a, max} [mm]	0.3		