

NJ1811M3

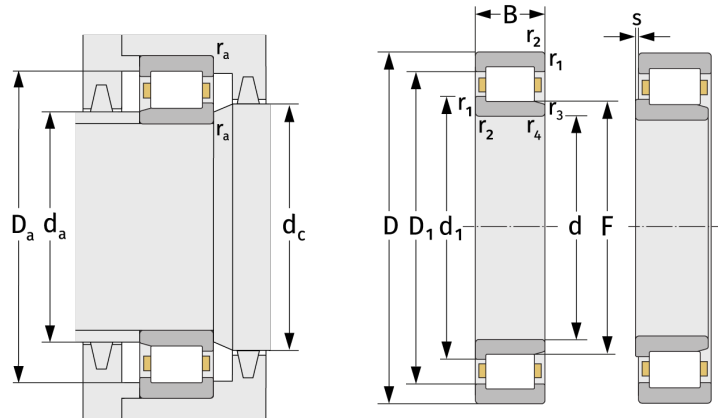
Cylindrical Roller Bearings (single row, with cage)



Details:

Main dimensions

d [mm]	55	d ₁ [mm]	≈ 61.6
D [mm]	72	D ₁ [mm]	≈ 66.4
B [mm]	9	r _{1,2} [mm]	0.3
Weight [kg]	≈ 0.094	r _{3,4} [mm]	0.2
F [mm]	60	s [mm]	1.5



Mating dimensions		Calculation data	
d _{a, min} [mm]	57	C [kN]	13.6
d _{a, max} [mm]	59	C ₀ [kN]	18.6
d _{b, min} [mm]	62	C _u [kN]	2.43
d _{c, min} [mm]	64	n _{th} [min ⁻¹]	5657
D _{a, max} [mm]	70	n _g [min ⁻¹]	12000
r _{a, max} [mm]	0.3		