

# NJ1828M3

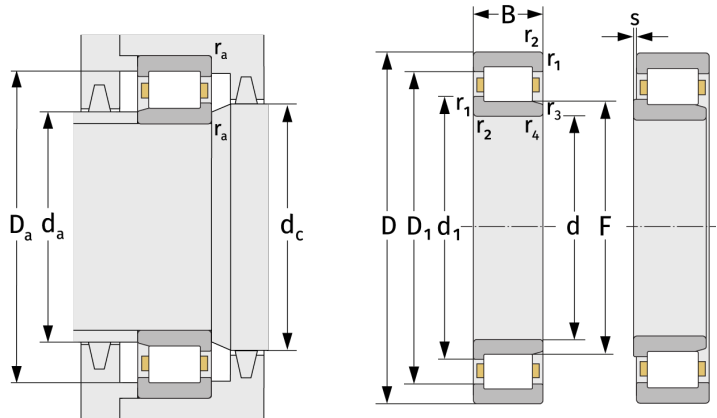
Cylindrical Roller Bearings (single row, with cage)



## Details:

### Main dimensions

d [mm]	140	d <sub>1</sub> [mm]	≈ 152.6
D [mm]	175	D <sub>1</sub> [mm]	≈ 163.4
B [mm]	18	r <sub>1,2</sub> [mm]	1.1
Weight [kg]	≈ 0.962	r <sub>3,4</sub> [mm]	0.6
F [mm]	149	s [mm]	2.8



Mating dimensions		Calculation data	
d <sub>a, min</sub> [mm]	146	C [kN]	77.8
d <sub>a, max</sub> [mm]	147	C <sub>0</sub> [kN]	135
d <sub>b, min</sub> [mm]	152	C <sub>u</sub> [kN]	16.1
d <sub>c, min</sub> [mm]	155	n <sub>th</sub> [min <sup>-1</sup> ]	2704
D <sub>a, max</sub> [mm]	169	n <sub>g</sub> [min <sup>-1</sup> ]	4600
r <sub>a, max</sub> [mm]	1		