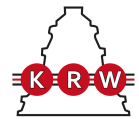


NJ1830M3

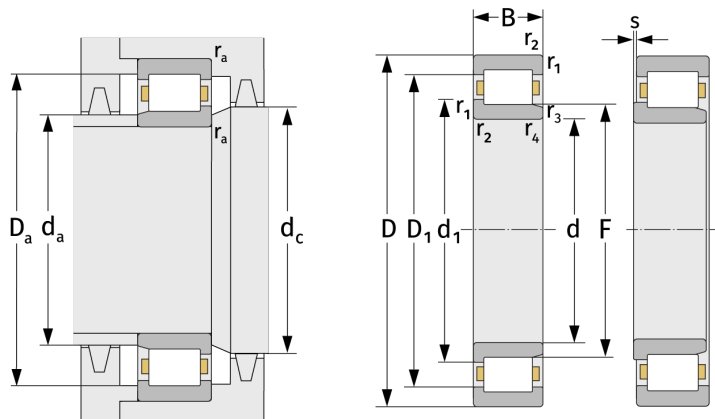
Cylindrical Roller Bearings (single row, with cage)



Details:

Main dimensions

d [mm]	150	d ₁ [mm]	≈ 164
D [mm]	190	D ₁ [mm]	≈ 176
B [mm]	20	r _{1,2} [mm]	1.1
Weight [kg]	≈ 1.33	r _{3,4} [mm]	0.6
F [mm]	160	s [mm]	3



Mating dimensions		Calculation data	
d _{a, min} [mm]	156	C [kN]	94.5
d _{a, max} [mm]	158	C ₀ [kN]	164
d _{b, min} [mm]	162	C _u [kN]	19.2
d _{c, min} [mm]	166	n _{th} [min ⁻¹]	2604
D _{a, max} [mm]	184	n _g [min ⁻¹]	4200
r _{a, max} [mm]	1		