

# NJ1911E.M3

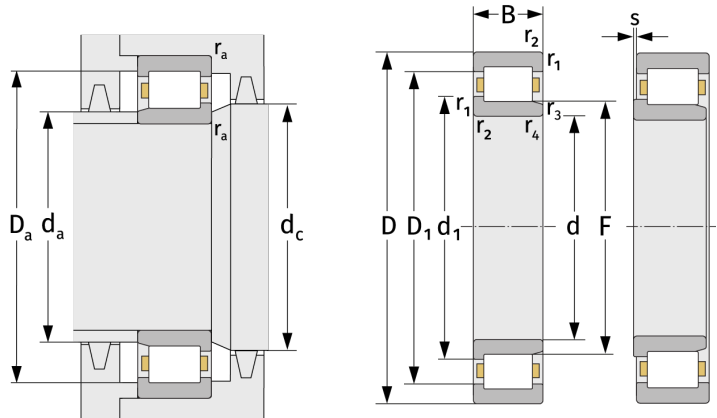
Cylindrical Roller Bearings (single row, with cage)



## Details:

### Main dimensions

d [mm]	55	$D_1$ [mm]	$\approx 71.9$
D [mm]	80	$r_{1,2}$ [mm]	1
B [mm]	13	$r_{3,4}$ [mm]	0.6
F [mm]	61.5	s [mm]	11.2
$d_1$ [mm]	$\approx 64.1$		



### Mating dimensions

$d_{a, \min}$ [mm]	59.6
$d_{a, \max}$ [mm]	60
$d_{b, \min}$ [mm]	63
$d_{c, \min}$ [mm]	66
$D_{a, \max}$ [mm]	75.4
$r_{a, \max}$ [mm]	1

### Calculation data

C [kN]	31.9
$C_0$ [kN]	40.1
$C_u$ [kN]	5.27
$n_{th}$ [ $\text{min}^{-1}$ ]	6200
$n_g$ [ $\text{min}^{-1}$ ]	11000