

# NJ20/750E.M3

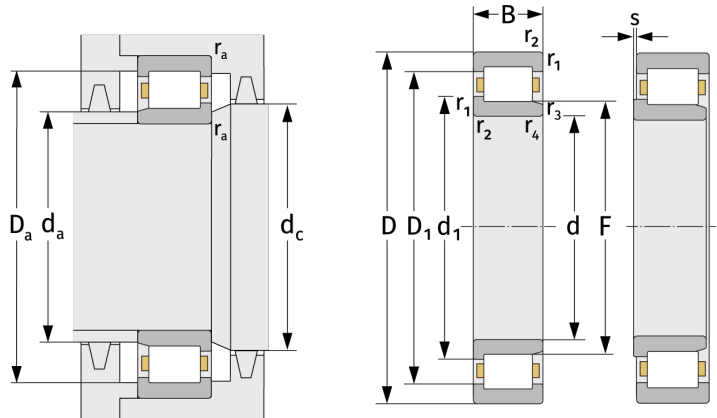
Cylindrical Roller Bearings (single row, with cage)



## Details:

### Main dimensions

d [mm]	750	d <sub>1</sub> [mm]	≈ 871
D [mm]	1090	D <sub>1</sub> [mm]	≈ 979
B [mm]	195	r <sub>1,2</sub> [mm]	7.5
Weight [kg]	≈ 637	r <sub>3,4</sub> [mm]	7.5
F [mm]	835	s [mm]	10



Mating dimensions		Calculation data	
d <sub>a, min</sub> [mm]	778	C [kN]	6250
d <sub>a, max</sub> [mm]	830	C <sub>0</sub> [kN]	13100
d <sub>b, min</sub> [mm]	840	C <sub>u</sub> [kN]	940
d <sub>c, min</sub> [mm]	876	n <sub>th</sub> [min <sup>-1</sup> ]	278
D <sub>a, max</sub> [mm]	1062	n <sub>g</sub> [min <sup>-1</sup> ]	590
r <sub>a, max</sub> [mm]	6		