

NJ2210E.M3

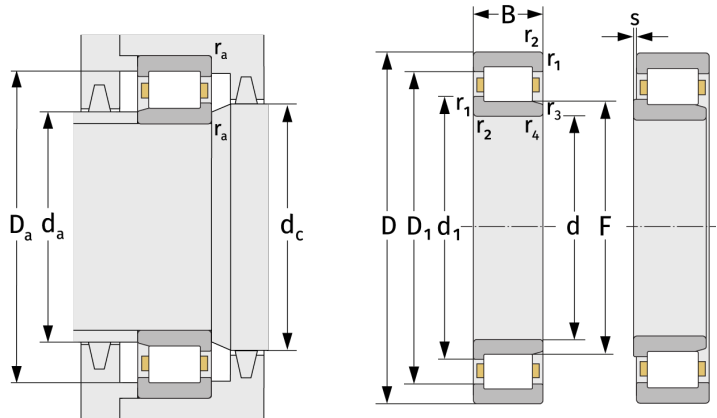
Cylindrical Roller Bearings (single row, with cage)



Details:

Main dimensions

d [mm]	50	d ₁ [mm]	≈ 63.9
D [mm]	90	D ₁ [mm]	≈ 77.1
B [mm]	23	r _{1,2} [mm]	1.1
Weight [kg]	≈ 0.649	r _{3,4} [mm]	1.1
F [mm]	59.5	s [mm]	2.2



Mating dimensions		Calculation data	
d _{a, min} [mm]	57	C [kN]	79.8
d _{a, max} [mm]	58	C ₀ [kN]	91.6
d _{b, min} [mm]	62	C _u [kN]	12
d _{c, min} [mm]	67	n _{th} [min ⁻¹]	5294
D _{a, max} [mm]	83	n _g [min ⁻¹]	11000
r _{a, max} [mm]	1		