

NJ28/750M3

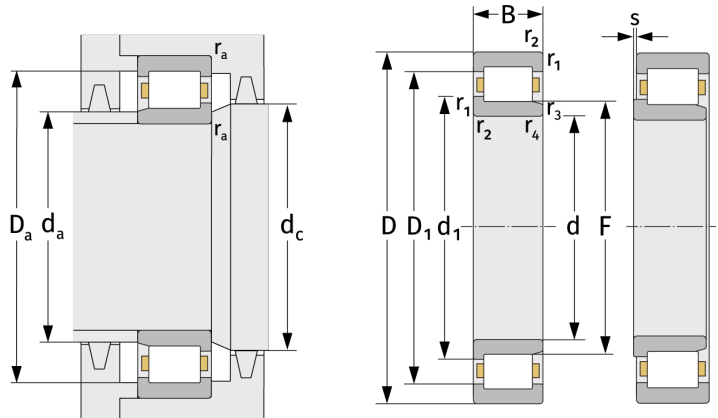
Cylindrical Roller Bearings (single row, with cage)



Details:

Main dimensions

| | | | |
|-------------|-------|-----------------------|-------|
| d [mm] | 750 | d ₁ [mm] | ≈ 811 |
| D [mm] | 920 | D ₁ [mm] | ≈ 859 |
| B [mm] | 100 | r _{1,2} [mm] | 5 |
| Weight [kg] | ≈ 148 | r _{3,4} [mm] | 5 |
| F [mm] | 795 | s [mm] | 10.8 |



| Mating dimensions | | Calculation data | |
|--------------------------|-----|--------------------------------------|------|
| d _{a, min} [mm] | 768 | C [kN] | 2150 |
| d _{a, max} [mm] | 790 | C ₀ [kN] | 5800 |
| d _{b, min} [mm] | 800 | C _u [kN] | 428 |
| d _{c, min} [mm] | 816 | n _{th} [min ⁻¹] | 351 |
| D _{a, max} [mm] | 902 | n _g [min ⁻¹] | 680 |
| r _{a, max} [mm] | 4 | | |