

NJ2811M3

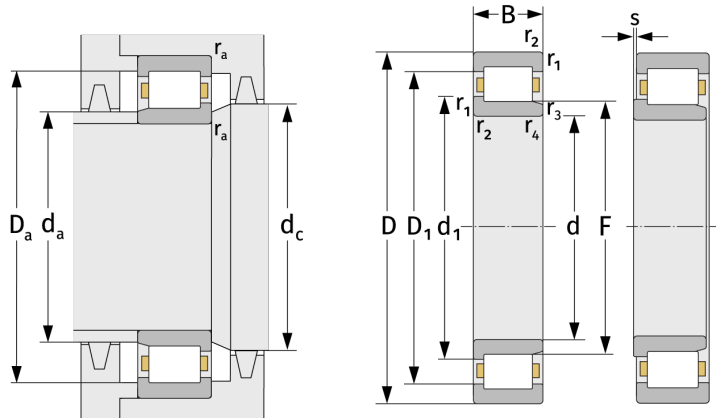
Cylindrical Roller Bearings (single row, with cage)



Details:

Main dimensions

| | | | |
|-------------|---------|-----------------------|--------|
| d [mm] | 55 | d ₁ [mm] | ≈ 61.6 |
| D [mm] | 72 | D ₁ [mm] | ≈ 66.4 |
| B [mm] | 11 | r _{1,2} [mm] | 0.3 |
| Weight [kg] | ≈ 0.117 | r _{3,4} [mm] | 0.2 |
| F [mm] | 60 | s [mm] | 1.5 |



| Mating dimensions | | Calculation data | |
|--------------------------|-----|--------------------------------------|-------|
| d _{a, min} [mm] | 57 | C [kN] | 18.1 |
| d _{a, max} [mm] | 59 | C ₀ [kN] | 26.8 |
| d _{b, min} [mm] | 62 | C _u [kN] | 3.51 |
| d _{c, min} [mm] | 64 | n _{th} [min ⁻¹] | 5919 |
| D _{a, max} [mm] | 70 | n _g [min ⁻¹] | 12000 |
| r _{a, max} [mm] | 0.3 | | |