

NJ2832M3

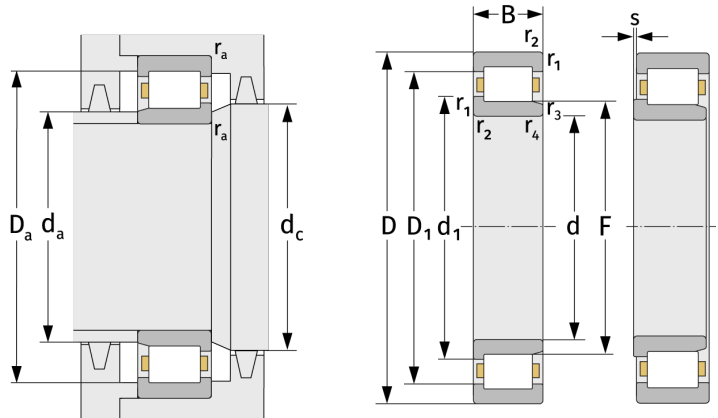
Cylindrical Roller Bearings (single row, with cage)



Details:

Main dimensions

d [mm]	160	d ₁ [mm]	≈ 174
D [mm]	200	D ₁ [mm]	≈ 186
B [mm]	24	r _{1,2} [mm]	1.1
Weight [kg]	≈ 1.79	r _{3,4} [mm]	0.6
F [mm]	170	s [mm]	2.5



Mating dimensions		Calculation data	
d _{a, min} [mm]	166	C [kN]	146
d _{a, max} [mm]	168	C ₀ [kN]	293
d _{b, min} [mm]	172	C _u [kN]	33.7
d _{c, min} [mm]	177	n _{th} [min ⁻¹]	2252
D _{a, max} [mm]	194	n _g [min ⁻¹]	4000
r _{a, max} [mm]	1		