

# NJ3009M3

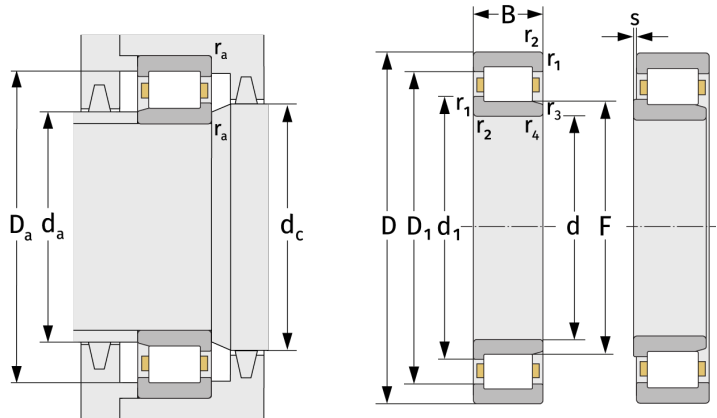
Cylindrical Roller Bearings (single row, with cage)



## Details:

### Main dimensions

d [mm]	45	d <sub>1</sub> [mm]	≈ 55.5
D [mm]	75	D <sub>1</sub> [mm]	≈ 64.5
B [mm]	23	r <sub>1,2</sub> [mm]	1
Weight [kg]	≈ 0.42	r <sub>3,4</sub> [mm]	0.6
F [mm]	52.5	s [mm]	2.5



Mating dimensions		Calculation data	
d <sub>a, min</sub> [mm]	49.6	C [kN]	52.5
d <sub>a, max</sub> [mm]	51	C <sub>0</sub> [kN]	65.7
d <sub>b, min</sub> [mm]	54	C <sub>u</sub> [kN]	8.62
d <sub>c, min</sub> [mm]	57	n <sub>th</sub> [min <sup>-1</sup> ]	8222
D <sub>a, max</sub> [mm]	70.4	n <sub>g</sub> [min <sup>-1</sup> ]	13000
r <sub>a, max</sub> [mm]	1		