

# NJ3132M3

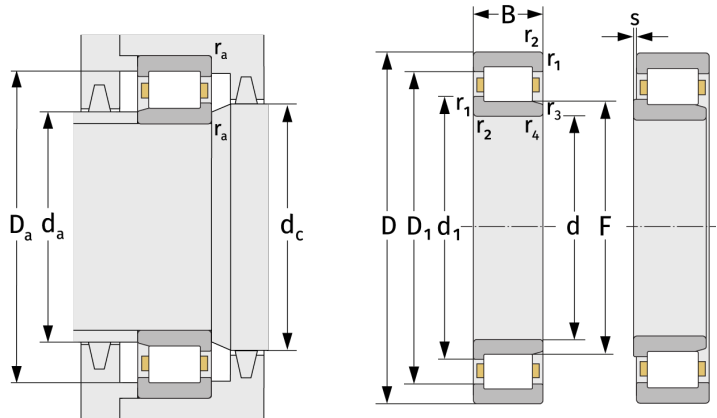
Cylindrical Roller Bearings (single row, with cage)



## Details:

### Main dimensions

d [mm]	160	d <sub>1</sub> [mm]	≈ 199
D [mm]	270	D <sub>1</sub> [mm]	≈ 235
B [mm]	86	r <sub>1,2</sub> [mm]	2.1
Weight [kg]	≈ 21	r <sub>3,4</sub> [mm]	2.1
F [mm]	187	s [mm]	8



Mating dimensions		Calculation data	
d <sub>a, min</sub> [mm]	172	C [kN]	800
d <sub>a, max</sub> [mm]	185	C <sub>0</sub> [kN]	1260
d <sub>b, min</sub> [mm]	189	C <sub>u</sub> [kN]	137
d <sub>c, min</sub> [mm]	200	n <sub>th</sub> [min <sup>-1</sup> ]	1878
D <sub>a, max</sub> [mm]	258	n <sub>g</sub> [min <sup>-1</sup> ]	3300
r <sub>a, max</sub> [mm]	2.1		