

NJ410M3

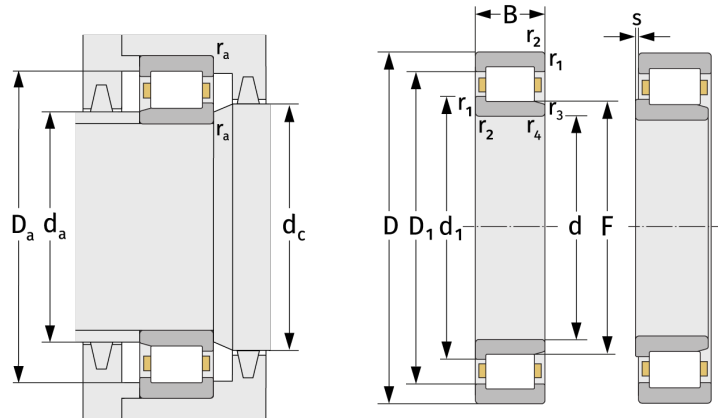
Cylindrical Roller Bearings (single row, with cage)



Details:

Main dimensions

d [mm]	50	d ₁ [mm]	≈ 78.8
D [mm]	130	D ₁ [mm]	≈ 102.8
B [mm]	31	r _{1,2} [mm]	2.1
Weight [kg]	≈ 2.3	r _{3,4} [mm]	2.1
F [mm]	70.8	s [mm]	2



Mating dimensions		Calculation data	
d _{a, min} [mm]	64	C [kN]	153
d _{a, max} [mm]	69	C ₀ [kN]	154
d _{b, min} [mm]	73	C _u [kN]	20.1
d _{c, min} [mm]	81	n _{th} [min ⁻¹]	5279
D _{a, max} [mm]	116	n _g [min ⁻¹]	8100
r _{a, max} [mm]	2.1		