

# NN3022S.M

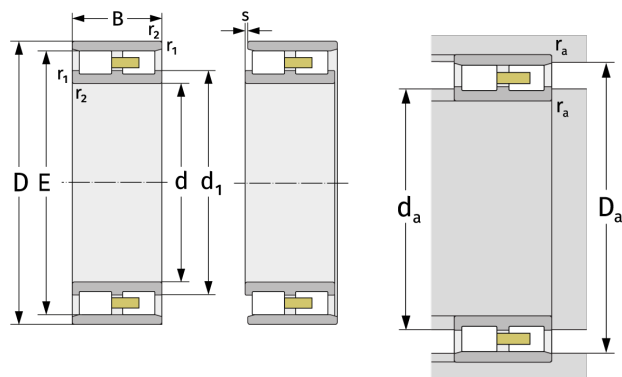
Cylindrical Roller Bearings (double row, with cage)



## Details:

### Main dimensions

d [mm]	110	d <sub>1</sub> [mm]	≈ 132.6
D [mm]	170	d <sub>s</sub> [mm]	3.2
B [mm]	45	n <sub>s</sub> [mm]	6.5
Weight [kg]	≈ 3.81	r <sub>1,2</sub> [mm]	2
E [mm]	155	s [mm]	2.8
E [mm]	155		



Mating dimensions		Calculation data	
D <sub>a,min</sub> [mm]	156	C [kN]	227
d <sub>a,min</sub> [mm]	119	C <sub>0</sub> [kN]	370
D <sub>a,min</sub> [mm]	156	C <sub>u</sub> [kN]	45.7
D <sub>a,max</sub> [mm]	161	n <sub>G,Fett</sub> [min <sup>-1</sup> ]	4700
r <sub>a,max</sub> [mm]	2	n <sub>G,Öl-Luft</sub> [min <sup>-1</sup> ]	5500