

NN3024S.M

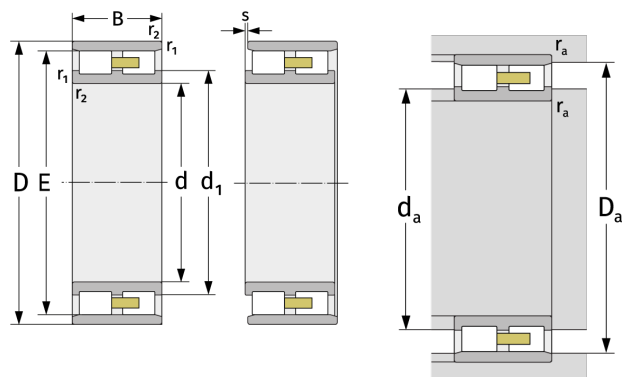
Cylindrical Roller Bearings (double row, with cage)



Details:

Main dimensions

| | | | |
|-------------|----------------|----------------|-----------------|
| d [mm] | 120 | d_1 [mm] | ≈ 142.6 |
| D [mm] | 180 | d_s [mm] | 3.2 |
| B [mm] | 46 | n_s [mm] | 6.5 |
| Weight [kg] | ≈ 4.16 | $r_{1,2}$ [mm] | 2 |
| E [mm] | 165 | s [mm] | 3.1 |
| E [mm] | 165 | | |



| Mating dimensions | | Calculation data | |
|--------------------|-----|---|------|
| $D_{a, \min}$ [mm] | 166 | C [kN] | 237 |
| $d_{a, \min}$ [mm] | 129 | C_0 [kN] | 401 |
| $D_{a, \min}$ [mm] | 166 | C_u [kN] | 48.6 |
| $D_{a, \max}$ [mm] | 171 | $n_{G, \text{Fett}}$ [min^{-1}] | 4300 |
| $r_{a, \max}$ [mm] | 2 | $n_{G, \text{Öl-Luft}}$ [min^{-1}] | 5100 |