

# NN3048S.M

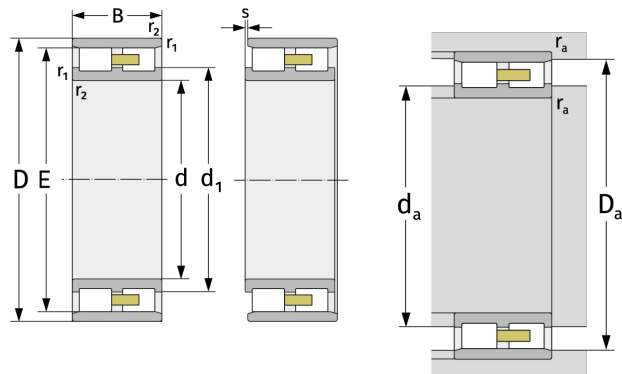
Cylindrical Roller Bearings (double row, with cage)



## Details:

### Main dimensions

d [mm]	240	d <sub>1</sub> [mm]	≈ 285.2
D [mm]	360	d <sub>s</sub> [mm]	8
B [mm]	92	n <sub>s</sub> [mm]	15
Weight [kg]	≈ 33.3	r <sub>1,2</sub> [mm]	3
E [mm]	330	s [mm]	6
E [mm]	330		



Mating dimensions		Calculation data	
D <sub>a,min</sub> [mm]	332	C [kN]	865
d <sub>a,min</sub> [mm]	252	C <sub>0</sub> [kN]	1630
D <sub>a,min</sub> [mm]	332	C <sub>u</sub> [kN]	162
D <sub>a,max</sub> [mm]	348	n <sub>G,Fett</sub> [min <sup>-1</sup> ]	2100
r <sub>a,max</sub> [mm]	2.5	n <sub>G,Öl-Luft</sub> [min <sup>-1</sup> ]	2500