

NN3060S.M

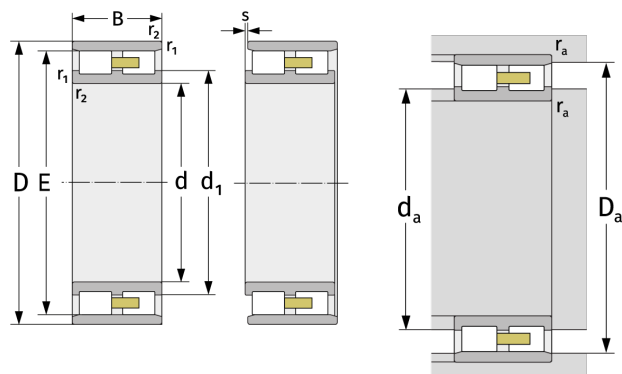
Cylindrical Roller Bearings (double row, with cage)



Details:

Main dimensions

d [mm]	300	d ₁ [mm]	≈ 360.4
D [mm]	460	d _s [mm]	9.5
B [mm]	118	n _s [mm]	17.7
Weight [kg]	≈ 72	r _{1,2} [mm]	4
E [mm]	418	s [mm]	7.4



Mating dimensions		Calculation data	
d _{a, min} [mm]	315	C [kN]	1320
D _{a, min} [mm]	421	C ₀ [kN]	2510
D _{a, max} [mm]	445	C _u [kN]	234
r _{a, max} [mm]	3	n _{G, Fett} [min ⁻¹]	1600
		n _{G, Öl-Luft} [min ⁻¹]	1900