

NN3064S.M

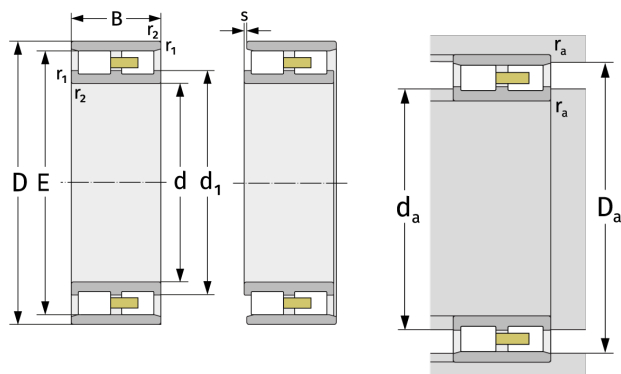
Cylindrical Roller Bearings (double row, with cage)



Details:

Main dimensions

d [mm]	320	d ₁ [mm]	≈ 380.4
D [mm]	480	d _s [mm]	9.5
B [mm]	121	n _s [mm]	17.7
Weight [kg]	≈ 78	r _{1,2} [mm]	4
E [mm]	438	s [mm]	7.9
E [mm]	438		



Mating dimensions		Calculation data	
D _{a,min} [mm]	441	C [kN]	1380
d _{a,min} [mm]	335	C ₀ [kN]	2720
D _{a,min} [mm]	441	C _u [kN]	249
D _{a,max} [mm]	465	n _{G,Fett} [min ⁻¹]	1500
r _{a,max} [mm]	3	n _{G,Öl-Luft} [min ⁻¹]	1800