

# NNCF4834V

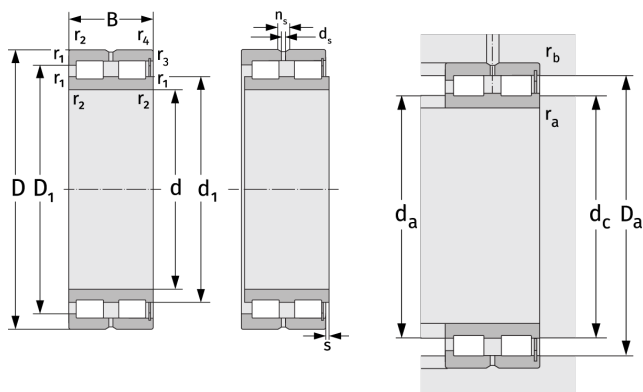
Cylindrical Roller Bearings (full complement, double row)



## Details:

### Main dimensions

|             |         |                |     |
|-------------|---------|----------------|-----|
| d [mm]      | 170     | $d_s$ [mm]     | 3.2 |
| D [mm]      | 215     | $n_s$ [mm]     | 6.5 |
| B [mm]      | 45      | $r_{1,2}$ [mm] | 1.1 |
| Weight [kg] | ≈ 3.91  | $r_{3,4}$ [mm] | 1.1 |
| $d_1$ [mm]  | ≈ 185.3 | s [mm]         | 3   |
| $D_1$ [mm]  | ≈ 197.3 |                |     |



| Mating dimensions         |     | Calculation data               |      |
|---------------------------|-----|--------------------------------|------|
| $d_{a, \min}$ [mm]        | 176 | C [kN]                         | 266  |
| $d_{c, \text{empf}}$ [mm] | 183 | $C_0$ [kN]                     | 655  |
| $D_{a, \max}$ [mm]        | 209 | $C_u$ [kN]                     | 74.1 |
| $r_{a, \max}$ [mm]        | 1   | $n_{th}$ [ $\text{min}^{-1}$ ] | 1137 |
| $r_{b, \max}$ [mm]        | 1   | $n_g$ [ $\text{min}^{-1}$ ]    | 1700 |