

# NNCF4844V

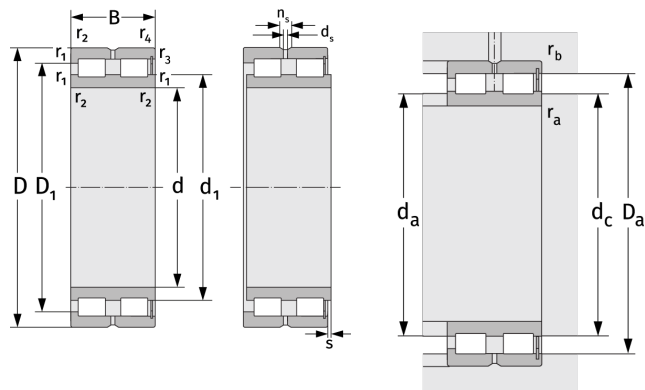
Cylindrical Roller Bearings (full complement, double row)



## Details:

### Main dimensions

d [mm]	220	$d_s$ [mm]	3.2
D [mm]	270	$n_s$ [mm]	6.5
B [mm]	50	$r_{1,2}$ [mm]	1.5
Weight [kg]	≈ 6.12	$r_{3,4}$ [mm]	1.5
$d_1$ [mm]	≈ 238.9	s [mm]	4
$D_1$ [mm]	≈ 252.1		



Mating dimensions		Calculation data	
$d_{a, \min}$ [mm]	227	C [kN]	339
$d_{c, \text{empf}}$ [mm]	237	$C_0$ [kN]	910
$D_{a, \max}$ [mm]	263	$C_u$ [kN]	95.9
$r_{a, \max}$ [mm]	1.5	$n_{th}$ [ $\text{min}^{-1}$ ]	830
$r_{b, \max}$ [mm]	1.5	$n_g$ [ $\text{min}^{-1}$ ]	1300