

NNCF4860V

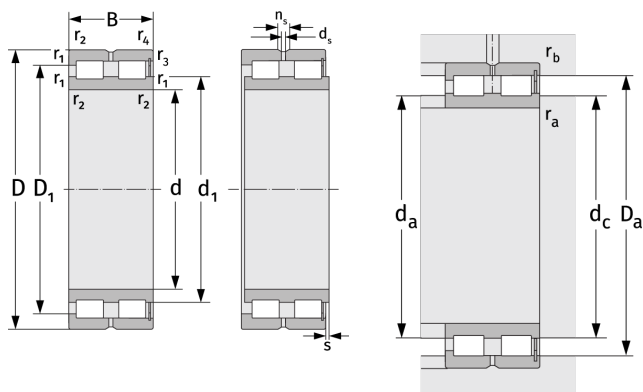
Cylindrical Roller Bearings (full complement, double row)



Details:

Main dimensions

d [mm]	300	d_s [mm]	4.8
D [mm]	380	n_s [mm]	9.5
B [mm]	80	$r_{1,2}$ [mm]	2.1
Weight [kg]	≈ 22	$r_{3,4}$ [mm]	2.1
d_1 [mm]	≈ 327.9	s [mm]	6
D_1 [mm]	≈ 349.5		



Mating dimensions		Calculation data	
$d_{a, \min}$ [mm]	310.2	C [kN]	815
$d_{c, \text{empf}}$ [mm]	325	C_0 [kN]	2180
$D_{a, \max}$ [mm]	369.8	C_u [kN]	210
$r_{a, \max}$ [mm]	2.1	n_{th} [min^{-1}]	529
$r_{b, \max}$ [mm]	2.1	n_g [min^{-1}]	910