

# NNCF4876V

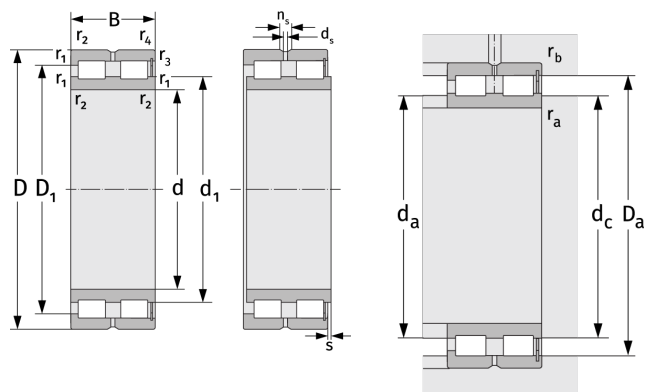
Cylindrical Roller Bearings (full complement, double row)



## Details:

### Main dimensions

d [mm]	380	$d_s$ [mm]	6.3
D [mm]	480	$n_s$ [mm]	12.2
B [mm]	100	$r_{1,2}$ [mm]	2.1
Weight [kg]	≈ 43.5	$r_{3,4}$ [mm]	2.1
$d_1$ [mm]	≈ 419	s [mm]	6
$D_1$ [mm]	≈ 446.6		



Mating dimensions		Calculation data	
$d_{a, \min}$ [mm]	390.2	C [kN]	1310
$d_{c, \text{empf}}$ [mm]	415	$C_0$ [kN]	3670
$D_{a, \max}$ [mm]	469.8	$C_u$ [kN]	329
$r_{a, \max}$ [mm]	2.1	$n_{th}$ [ $\text{min}^{-1}$ ]	371
$r_{b, \max}$ [mm]	2.1	$n_g$ [ $\text{min}^{-1}$ ]	690