

# NNCF4880V

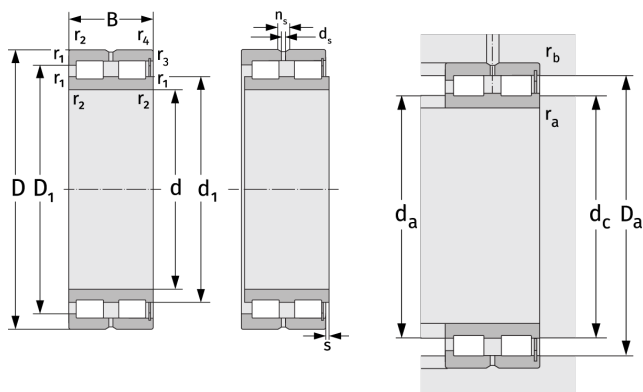
Cylindrical Roller Bearings (full complement, double row)



## Details:

### Main dimensions

|             |             |                |      |
|-------------|-------------|----------------|------|
| d [mm]      | 400         | $d_s$ [mm]     | 6.3  |
| D [mm]      | 500         | $n_s$ [mm]     | 12.2 |
| B [mm]      | 100         | $r_{1,2}$ [mm] | 2.1  |
| Weight [kg] | ≈ 45.6      | $r_{3,4}$ [mm] | 2.1  |
| $d_1$ [mm]  | ≈<br>433.79 | s [mm]         | 6    |
| $D_1$ [mm]  | ≈<br>461.39 |                |      |



| Mating dimensions         |       | Calculation data               |      |
|---------------------------|-------|--------------------------------|------|
| $d_{a, \min}$ [mm]        | 410.2 | C [kN]                         | 1340 |
| $d_{c, \text{empf}}$ [mm] | 429   | $C_0$ [kN]                     | 3800 |
| $D_{a, \max}$ [mm]        | 489.8 | $C_u$ [kN]                     | 337  |
| $r_{a, \max}$ [mm]        | 2.1   | $n_{th}$ [ $\text{min}^{-1}$ ] | 351  |
| $r_{b, \max}$ [mm]        | 2.1   | $n_g$ [ $\text{min}^{-1}$ ]    | 660  |