

NNCF4884V

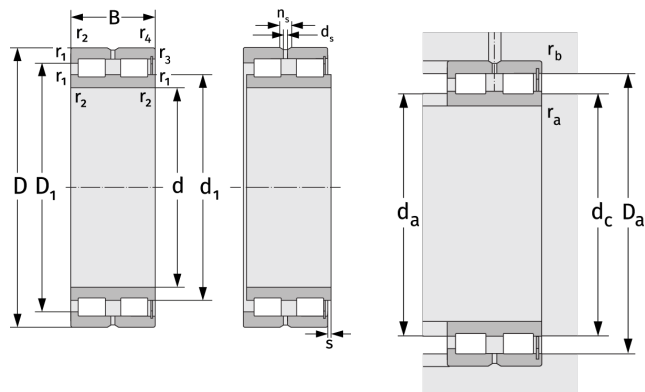
Cylindrical Roller Bearings (full complement, double row)



Details:

Main dimensions

d [mm]	420	d_s [mm]	8
D [mm]	520	n_s [mm]	15
B [mm]	100	$r_{1,2}$ [mm]	2.1
Weight [kg]	≈ 47.6	$r_{3,4}$ [mm]	2.1
d_1 [mm]	≈ 455.8	s [mm]	6
D_1 [mm]	≈ 483.4		



Mating dimensions		Calculation data	
$d_{a, \min}$ [mm]	430.2	C [kN]	1370
$d_{c, \text{empf}}$ [mm]	451	C_0 [kN]	4000
$D_{a, \max}$ [mm]	509.8	C_u [kN]	350
$r_{a, \max}$ [mm]	2.1	n_{th} [min^{-1}]	329
$r_{b, \max}$ [mm]	2.1	n_g [min^{-1}]	630