

NNCF4922V

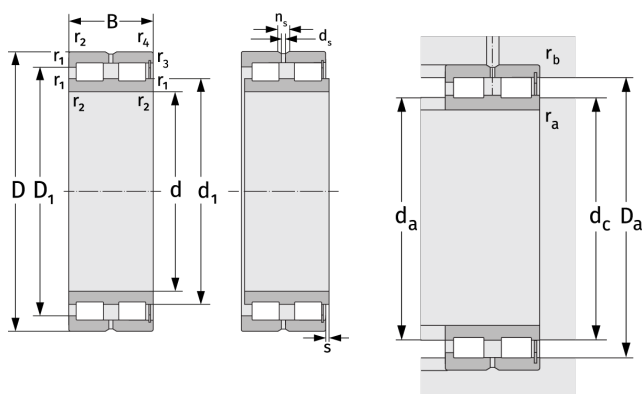
Cylindrical Roller Bearings (full complement, double row)



Details:

Main dimensions

d [mm]	110	d_s [mm]	3.2
D [mm]	150	n_s [mm]	6.5
B [mm]	40	$r_{1,2}$ [mm]	1.1
Weight [kg]	≈ 2.13	$r_{3,4}$ [mm]	1.1
d_1 [mm]	≈ 123.8	s [mm]	2
D_1 [mm]	≈ 134.6		



Mating dimensions		Calculation data	
$d_{a, \min}$ [mm]	116	C [kN]	203
$d_{c, \text{empf}}$ [mm]	123	C_0 [kN]	432
$D_{a, \max}$ [mm]	144	C_u [kN]	54.7
$r_{a, \max}$ [mm]	1	n_{th} [min^{-1}]	1544
$r_{b, \max}$ [mm]	1	n_g [min^{-1}]	2600