

NNCF4932V

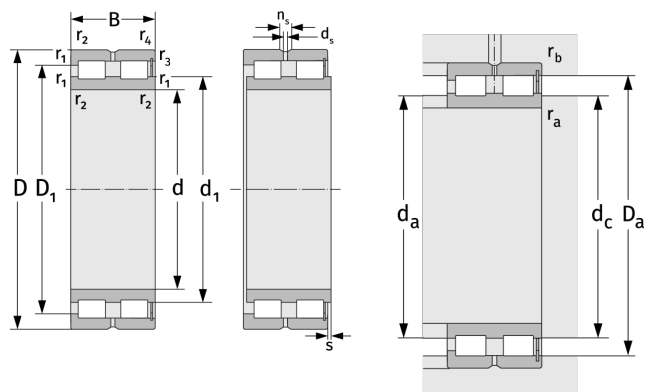
Cylindrical Roller Bearings (full complement, double row)



Details:

Main dimensions

d [mm]	160	d_s [mm]	3.2
D [mm]	220	n_s [mm]	6.5
B [mm]	60	$r_{1,2}$ [mm]	2
Weight [kg]	≈ 6.85	$r_{3,4}$ [mm]	2
d_1 [mm]	≈ 183.76	s [mm]	4
D_1 [mm]	≈ 200.56		



Mating dimensions		Calculation data	
$d_{a, \min}$ [mm]	168.8	C [kN]	423
$d_{c, \text{empf}}$ [mm]	182	C_0 [kN]	925
$D_{a, \max}$ [mm]	211.2	C_u [kN]	105
$r_{a, \max}$ [mm]	2	n_{th} [min^{-1}]	1078
$r_{b, \max}$ [mm]	2	n_g [min^{-1}]	1700