

# NNCF4944V

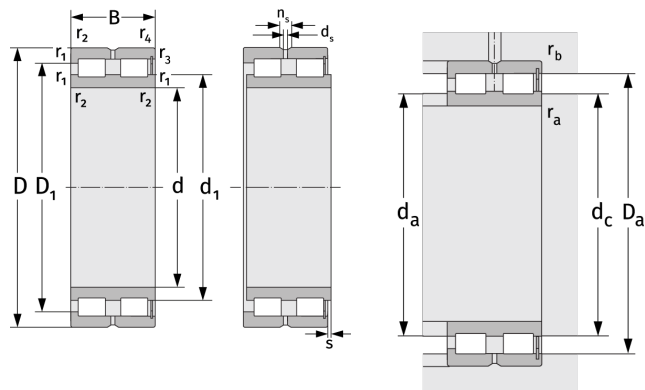
Cylindrical Roller Bearings (full complement, double row)



## Details:

### Main dimensions

d [mm]	220	$d_s$ [mm]	4.8
D [mm]	300	$n_s$ [mm]	9.5
B [mm]	80	$r_{1,2}$ [mm]	2.1
Weight [kg]	≈ 16.8	$r_{3,4}$ [mm]	2.1
$d_1$ [mm]	≈ 247.72	s [mm]	5
$D_1$ [mm]	≈ 269.32		



Mating dimensions		Calculation data	
$d_{a, \min}$ [mm]	230.2	C [kN]	700
$d_{c, \text{empf}}$ [mm]	245	$C_0$ [kN]	1640
$D_{a, \max}$ [mm]	289.8	$C_u$ [kN]	170
$r_{a, \max}$ [mm]	2.1	$n_{th}$ [ $\text{min}^{-1}$ ]	726
$r_{b, \max}$ [mm]	2.1	$n_g$ [ $\text{min}^{-1}$ ]	1300