

NNCF4964V

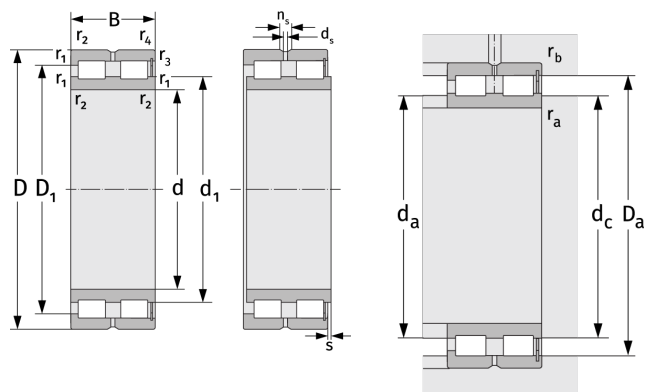
Cylindrical Roller Bearings (full complement, double row)



Details:

Main dimensions

d [mm]	320	d_s [mm]	4.8
D [mm]	440	n_s [mm]	9.5
B [mm]	118	$r_{1,2}$ [mm]	3
Weight [kg]	≈ 55.2	$r_{3,4}$ [mm]	3
d_1 [mm]	≈ 367.47	s [mm]	6
D_1 [mm]	≈ 401.07		



Mating dimensions		Calculation data	
$d_{a, \min}$ [mm]	332.4	C [kN]	1670
$d_{c, \text{empf}}$ [mm]	364	C_0 [kN]	4130
$D_{a, \max}$ [mm]	427.6	C_u [kN]	383
$r_{a, \max}$ [mm]	2.5	n_{th} [min^{-1}]	397
$r_{b, \max}$ [mm]	2.5	n_g [min^{-1}]	790