

# NNCF5014V

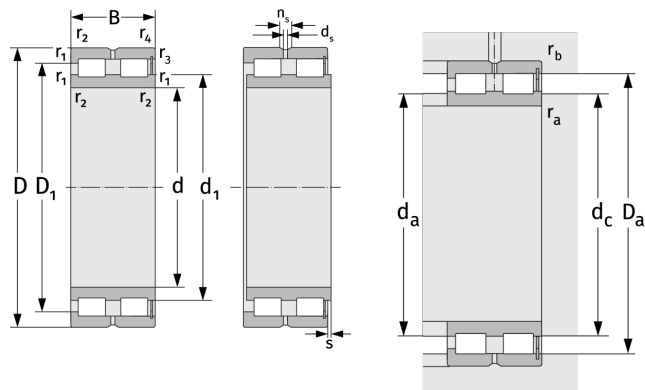
Cylindrical Roller Bearings (full complement, double row)



## Details:

### Main dimensions

d [mm]	70	$d_s$ [mm]	3.2
D [mm]	110	$n_s$ [mm]	6.5
B [mm]	54	$r_{1,2}$ [mm]	1.1
Weight [kg]	≈ 1.83	$r_{3,4}$ [mm]	1
$d_1$ [mm]	≈ 81.08	s [mm]	3
$D_1$ [mm]	≈ 95.48		



Mating dimensions		Calculation data	
$d_{a, \min}$ [mm]	76	C [kN]	227
$d_{c, \text{empf}}$ [mm]	80	$C_0$ [kN]	357
$D_{a, \max}$ [mm]	104	$C_u$ [kN]	46.9
$r_{a, \max}$ [mm]	1	$n_{th}$ [ $\text{min}^{-1}$ ]	2570
$r_{b, \max}$ [mm]	1	$n_g$ [ $\text{min}^{-1}$ ]	3800