

# NNCF5017V

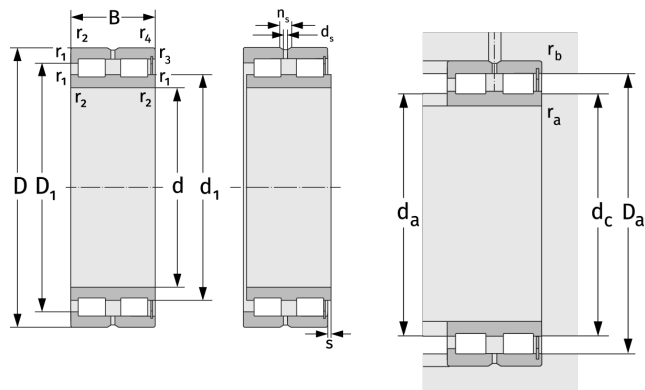
Cylindrical Roller Bearings (full complement, double row)



## Details:

### Main dimensions

d [mm]	85	$d_s$ [mm]	3.2
D [mm]	130	$n_s$ [mm]	6.5
B [mm]	60	$r_{1,2}$ [mm]	1.1
Weight [kg]	≈ 2.69	$r_{3,4}$ [mm]	1
$d_1$ [mm]	≈ 99.04	s [mm]	3.5
$D_1$ [mm]	≈ 115.84		



Mating dimensions		Calculation data	
$d_{a, \min}$ [mm]	91	C [kN]	298
$d_{c, \text{empf}}$ [mm]	98	$C_0$ [kN]	484
$D_{a, \max}$ [mm]	124	$C_u$ [kN]	64.6
$r_{a, \max}$ [mm]	1	$n_{\text{th}}$ [ $\text{min}^{-1}$ ]	2173
$r_{b, \max}$ [mm]	1	$n_g$ [ $\text{min}^{-1}$ ]	3100