

NNCF5022V

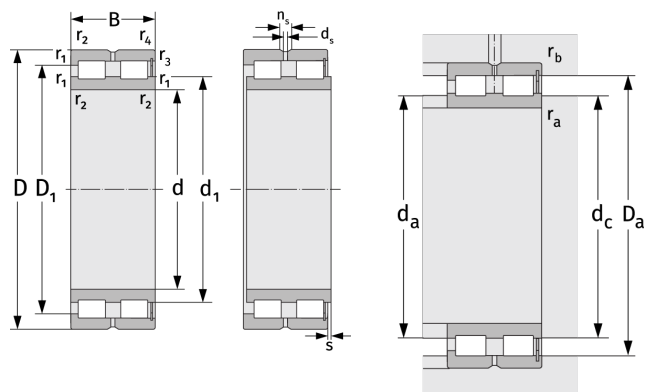
Cylindrical Roller Bearings (full complement, double row)



Details:

Main dimensions

d [mm]	110	d_s [mm]	4.8
D [mm]	170	n_s [mm]	9.5
B [mm]	80	$r_{1,2}$ [mm]	2
Weight [kg]	≈ 6.28	$r_{3,4}$ [mm]	1.1
d_1 [mm]	≈ 127.33	s [mm]	5
D_1 [mm]	≈ 148.93		



Mating dimensions		Calculation data	
$d_{a, \min}$ [mm]	118.8	C [kN]	481
$d_{c, \text{empf}}$ [mm]	126	C_0 [kN]	815
$D_{a, \max}$ [mm]	161.2	C_u [kN]	101
$r_{a, \max}$ [mm]	2	n_{th} [min ⁻¹]	1663
$r_{b, \max}$ [mm]	1	n_g [min ⁻¹]	2400