

NNCF5034V

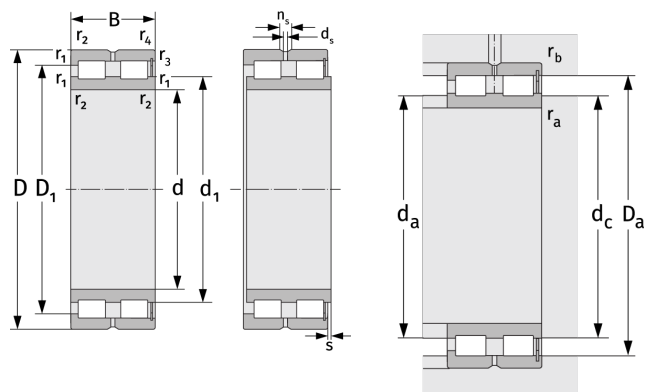
Cylindrical Roller Bearings (full complement, double row)



Details:

Main dimensions

d [mm]	170	d_s [mm]	4.8
D [mm]	260	n_s [mm]	9.5
B [mm]	122	$r_{1,2}$ [mm]	2.1
Weight [kg]	≈ 22.4	$r_{3,4}$ [mm]	1.1
d_1 [mm]	≈ 198.2	s [mm]	6
D_1 [mm]	≈ 231.8		



Mating dimensions		Calculation data	
$d_{a, \min}$ [mm]	180.2	C [kN]	1180
$d_{c, \text{empf}}$ [mm]	196	C_0 [kN]	2170
$D_{a, \max}$ [mm]	249.8	C_u [kN]	237
$r_{a, \max}$ [mm]	2.1	n_{th} [min^{-1}]	883
$r_{b, \max}$ [mm]	1	n_g [min^{-1}]	1500