

NNCF5038V

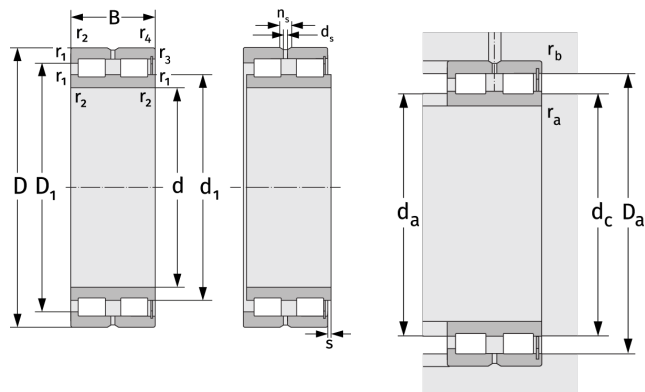
Cylindrical Roller Bearings (full complement, double row)



Details:

Main dimensions

d [mm]	190	d_s [mm]	4.8
D [mm]	290	n_s [mm]	9.5
B [mm]	136	$r_{1,2}$ [mm]	2.1
Weight [kg]	≈ 31.1	$r_{3,4}$ [mm]	2.1
d_1 [mm]	≈ 222	s [mm]	8
D_1 [mm]	≈ 258		



Mating dimensions		Calculation data	
$d_{a, \min}$ [mm]	200.2	C [kN]	1390
$d_{c, \text{empf}}$ [mm]	220	C_0 [kN]	2660
$D_{a, \max}$ [mm]	279.8	C_u [kN]	282
$r_{a, \max}$ [mm]	2.1	n_{th} [min^{-1}]	763
$r_{b, \max}$ [mm]	2.1	n_g [min^{-1}]	1400