

# NNCF5076V

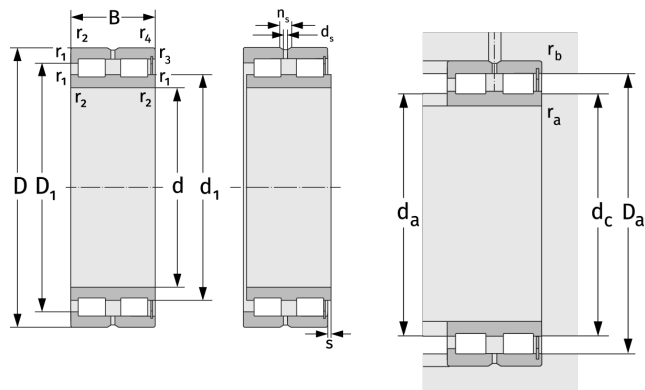
Cylindrical Roller Bearings (full complement, double row)



## Details:

### Main dimensions

d [mm]	380	$d_s$ [mm]	6.3
D [mm]	560	$n_s$ [mm]	12.2
B [mm]	243	$r_{1,2}$ [mm]	5
Weight [kg]	≈ 194	$r_{3,4}$ [mm]	5
$d_1$ [mm]	≈ 431.7	s [mm]	11
$D_1$ [mm]	≈ 498.9		



Mating dimensions		Calculation data	
$d_{a, \min}$ [mm]	398	C [kN]	4370
$d_{c, \text{empf}}$ [mm]	427	$C_0$ [kN]	9250
$D_{a, \max}$ [mm]	542	$C_u$ [kN]	812
$r_{a, \max}$ [mm]	4	$n_{th}$ [ $\text{min}^{-1}$ ]	294
$r_{b, \max}$ [mm]	4	$n_g$ [ $\text{min}^{-1}$ ]	630