

NNU40/500S.M

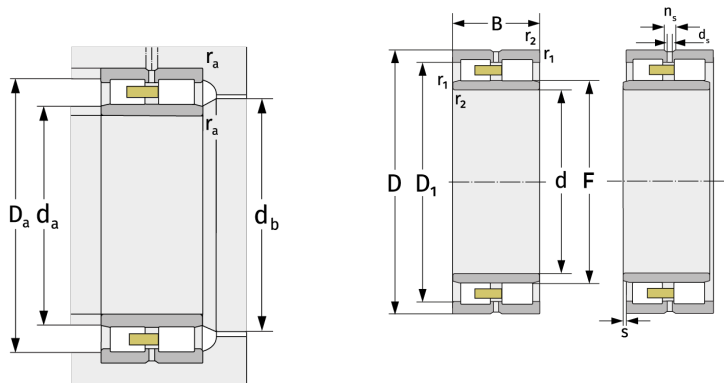
Cylindrical Roller Bearings (double row, with cage)



Details:

Main dimensions

d [mm]	500	D_1 [mm]	≈ 647.6
D [mm]	720	d_s [mm]	9.5
B [mm]	218	n_s [mm]	17.7
Weight [kg]	≈ 297	$r_{1,2}$ [mm]	6
F [mm]	558	s [mm]	7.7



Mating dimensions		Calculation data	
$d_{a, \min}$ [mm]	523	C [kN]	4340
$d_{a, \max}$ [mm]	554	C_0 [kN]	10100
$d_{b, \min}$ [mm]	562	C_u [kN]	820
$D_{a, \max}$ [mm]	697	$n_{G, \text{Fett}}$ [min^{-1}]	910
$r_{a, \max}$ [mm]	5	$n_{G, \text{Öl-Luft}}$ [min^{-1}]	1100