

NNU40/630S.M

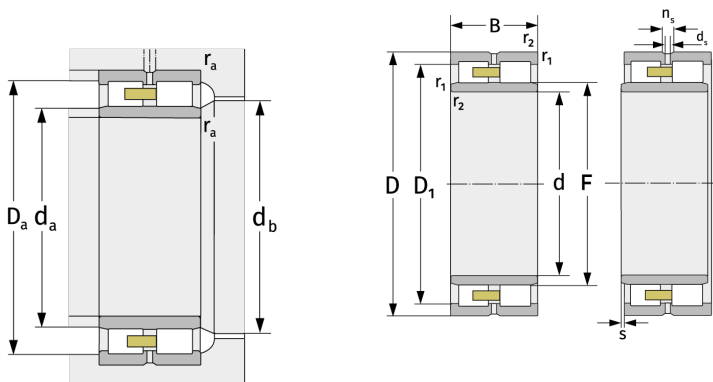
Cylindrical Roller Bearings (double row, with cage)



Details:

Main dimensions

d [mm]	630	D_1 [mm]	≈ 818.2
D [mm]	920	d_s [mm]	12.5
B [mm]	290	n_s [mm]	23.5
Weight [kg]	≈ 667	$r_{1,2}$ [mm]	7.5
F [mm]	703	s [mm]	10.2



Mating dimensions		Calculation data	
$d_{a, \min}$ [mm]	658	C [kN]	7350
$d_{a, \max}$ [mm]	697	C_0 [kN]	17700
$d_{b, \min}$ [mm]	708	C_u [kN]	1350
$D_{a, \max}$ [mm]	892	$n_{G, \text{Fett}}$ [min^{-1}]	680
$r_{a, \max}$ [mm]	6	$n_{G, \text{Öl-Luft}}$ [min^{-1}]	800