

NNU40/710S.M

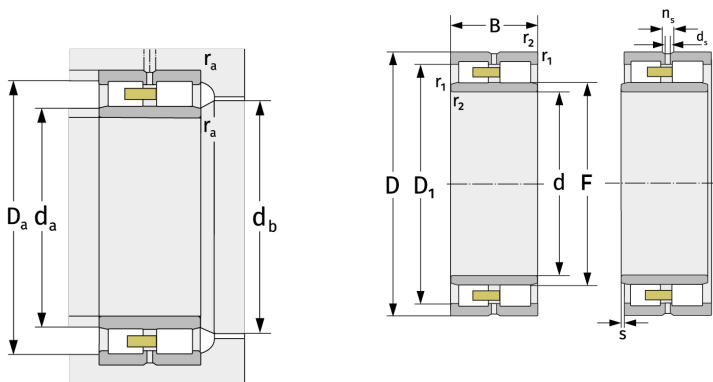
Cylindrical Roller Bearings (double row, with cage)



Details:

Main dimensions

| | | | |
|-------------|-------|----------------|-------|
| d [mm] | 710 | D_1 [mm] | ≈ 920 |
| D [mm] | 1030 | d_s [mm] | 12.5 |
| B [mm] | 315 | n_s [mm] | 23.5 |
| Weight [kg] | ≈ 888 | $r_{1,2}$ [mm] | 7.5 |
| F [mm] | 784 | s [mm] | 10.9 |



| Mating dimensions | | Calculation data | |
|--------------------|------|---|-------|
| $d_{a, \min}$ [mm] | 738 | C [kN] | 9150 |
| $d_{a, \max}$ [mm] | 777 | C_0 [kN] | 21800 |
| $d_{b, \min}$ [mm] | 789 | C_u [kN] | 1610 |
| $D_{a, \max}$ [mm] | 1002 | $n_{G, \text{Fett}}$ [min^{-1}] | 580 |
| $r_{a, \max}$ [mm] | 6 | $n_{G, \text{Öl-Luft}}$ [min^{-1}] | 690 |