

NNU40/950S.M

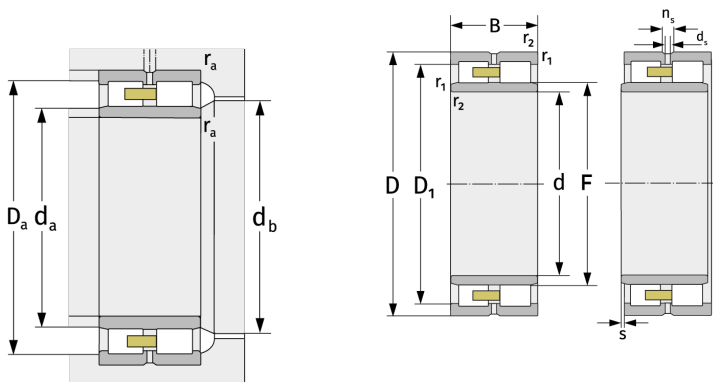
Cylindrical Roller Bearings (double row, with cage)



Details:

Main dimensions

d [mm]	950	D_1 [mm]	≈ 1218
D [mm]	1360	d_s [mm]	12.5
B [mm]	412	n_s [mm]	23.5
Weight [kg]	≈ 1987	$r_{1,2}$ [mm]	7.5
F [mm]	1050	s [mm]	20.4



Mating dimensions		Calculation data	
$d_{a, \min}$ [mm]	978	C [kN]	14300
$d_{a, \max}$ [mm]	1044	C_0 [kN]	36300
$d_{b, \min}$ [mm]	1055	C_u [kN]	2460
$D_{a, \max}$ [mm]	1332	$n_{G, \text{Fett}}$ [min^{-1}]	390
$r_{a, \max}$ [mm]	6	$n_{G, \text{Öl-Luft}}$ [min^{-1}]	460