

NNU4160S.M

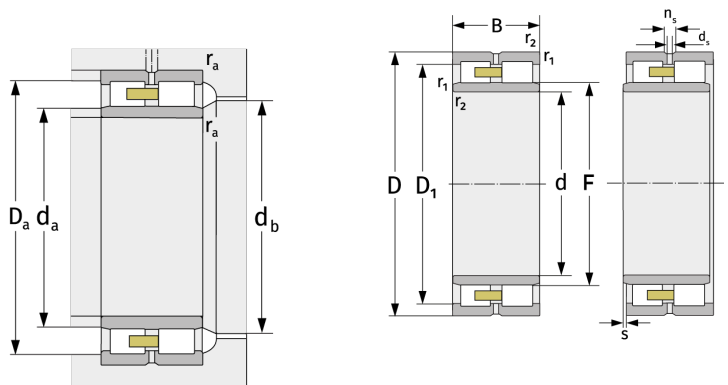
Cylindrical Roller Bearings (double row, with cage)



Details:

Main dimensions

d [mm]	300	D_1 [mm]	≈ 437.4
D [mm]	500	d_s [mm]	12.5
B [mm]	200	n_s [mm]	23.5
Weight [kg]	≈ 157	$r_{1,2}$ [mm]	5
F [mm]	351	s [mm]	7.3



Mating dimensions		Calculation data	
$d_{a, \min}$ [mm]	320	C [kN]	2920
$d_{a, \max}$ [mm]	347	C_0 [kN]	5350
$d_{b, \min}$ [mm]	354	C_u [kN]	489
$D_{a, \max}$ [mm]	480	$n_{G, \text{Fett}}$ [min^{-1}]	1500
$r_{a, \max}$ [mm]	4	$n_{G, \text{Öl-Luft}}$ [min^{-1}]	1800