

NNU4168S.M

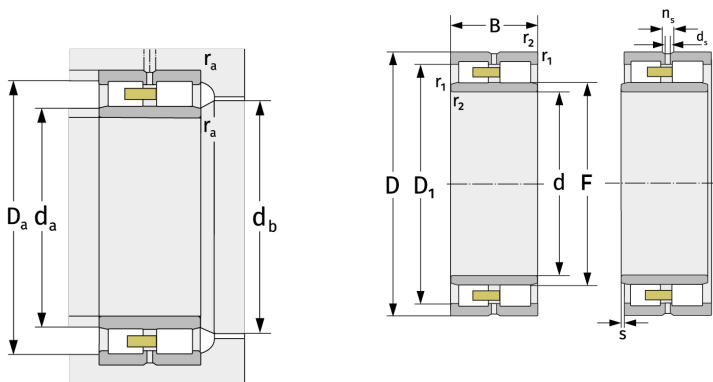
Cylindrical Roller Bearings (double row, with cage)



Details:

Main dimensions

d [mm]	340	D_1 [mm]	≈ 504.4
D [mm]	580	d_s [mm]	12.5
B [mm]	243	n_s [mm]	23.5
Weight [kg]	≈ 270	$r_{1,2}$ [mm]	5
F [mm]	402	s [mm]	10



Mating dimensions		Calculation data	
$d_{a, \min}$ [mm]	360	C [kN]	4210
$d_{a, \max}$ [mm]	398	C_0 [kN]	8000
$d_{b, \min}$ [mm]	406	C_u [kN]	705
$D_{a, \max}$ [mm]	560	$n_{G, \text{Fett}}$ [min^{-1}]	1300
$r_{a, \max}$ [mm]	4	$n_{G, \text{Öl-Luft}}$ [min^{-1}]	1500