

# NNU4184S.M

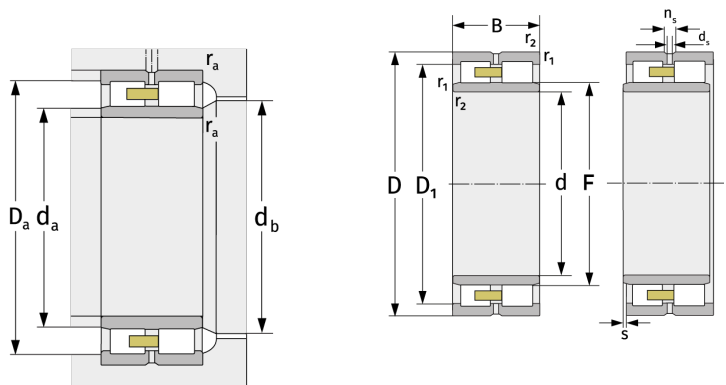
Cylindrical Roller Bearings (double row, with cage)



## Details:

### Main dimensions

d [mm]	420	$D_1$ [mm]	≈ 603
D [mm]	700	$d_s$ [mm]	12.5
B [mm]	280	$n_s$ [mm]	23.5
Weight [kg]	≈ 445	$r_{1,2}$ [mm]	6
F [mm]	491	s [mm]	12.2



Mating dimensions		Calculation data	
$d_{a, \min}$ [mm]	446	C [kN]	5600
$d_{a, \max}$ [mm]	485	$C_0$ [kN]	11500
$d_{b, \min}$ [mm]	495	$C_u$ [kN]	960
$D_{a, \max}$ [mm]	674	$n_{G, \text{Fett}}$ [ $\text{min}^{-1}$ ]	1100
$r_{a, \max}$ [mm]	5	$n_{G, \text{Öl-Luft}}$ [ $\text{min}^{-1}$ ]	1200