

NNU48/560S.M

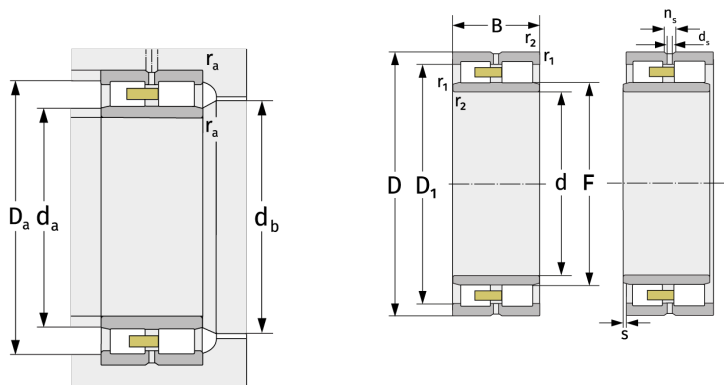
Cylindrical Roller Bearings (double row, with cage)



Details:

Main dimensions

d [mm]	560	D_1 [mm]	≈ 639
D [mm]	680	d_s [mm]	8
B [mm]	118	n_s [mm]	15
Weight [kg]	≈ 90.2	$r_{1,2}$ [mm]	3
F [mm]	599	s [mm]	6.5



Mating dimensions		Calculation data	
$d_{a, \min}$ [mm]	572	C [kN]	1470
$d_{a, \max}$ [mm]	596	C_0 [kN]	4510
$d_{b, \min}$ [mm]	603	C_u [kN]	365
$D_{a, \max}$ [mm]	668	$n_{G, \text{Fett}}$ [min^{-1}]	890
$r_{a, \max}$ [mm]	2.5	$n_{G, \text{Öl-Luft}}$ [min^{-1}]	1100