

NNU48/600S.M

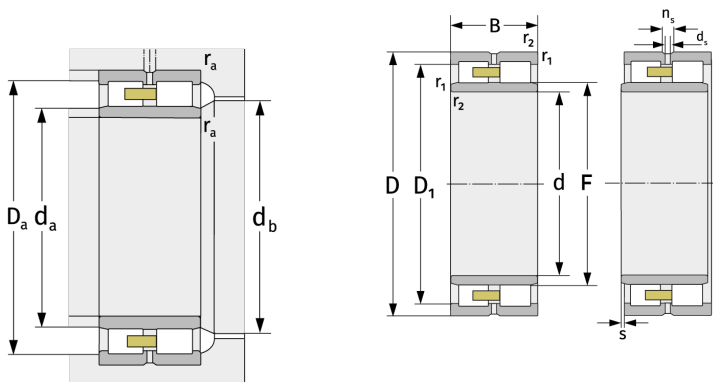
Cylindrical Roller Bearings (double row, with cage)



Details:

Main dimensions

d [mm]	600	D_1 [mm]	≈ 686.6
D [mm]	730	d_s [mm]	8
B [mm]	128	n_s [mm]	15
Weight [kg]	≈ 115	$r_{1,2}$ [mm]	3
F [mm]	645	s [mm]	7



Mating dimensions		Calculation data	
$d_{a, \min}$ [mm]	612	C [kN]	1700
$d_{a, \max}$ [mm]	641	C_0 [kN]	5450
$d_{b, \min}$ [mm]	650	C_u [kN]	431
$D_{a, \max}$ [mm]	718	$n_{G, \text{Fett}}$ [min^{-1}]	810
$r_{a, \max}$ [mm]	2.5	$n_{G, \text{Öl-Luft}}$ [min^{-1}]	960