

# NNU4864S.M

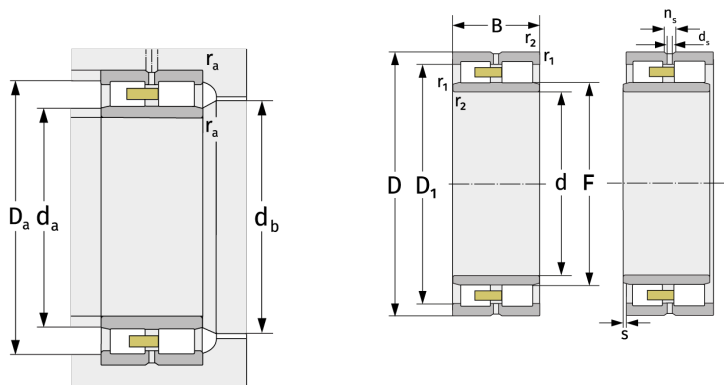
Cylindrical Roller Bearings (double row, with cage)



## Details:

### Main dimensions

d [mm]	320	$D_1$ [mm]	$\approx 371.6$
D [mm]	400	$d_s$ [mm]	4.8
B [mm]	80	$n_s$ [mm]	9.5
Weight [kg]	$\approx 23.8$	$r_{1,2}$ [mm]	2.1
F [mm]	346	s [mm]	4.8



Mating dimensions		Calculation data	
$d_{a, \min}$ [mm]	330	C [kN]	625
$d_{a, \max}$ [mm]	343	$C_0$ [kN]	1720
$d_{b, \min}$ [mm]	350	$C_u$ [kN]	163
$D_{a, \max}$ [mm]	390	$n_{G, \text{Fett}}$ [ $\text{min}^{-1}$ ]	1700
$r_{a, \max}$ [mm]	2.1	$n_{G, \text{Öl-Luft}}$ [ $\text{min}^{-1}$ ]	2000